

# **LIGHT SENSOR**

## **OWNER'S** --- **MANUAL**

**Thank You for purchasing the Light Sensor.**

**For maximum benefits and best results, please follow the instructions in this manual. We believe you will find this product extremely useful and practical.**

**For more information, please contact your dealer or customer service as given in the Warranty Card.**

# Content

## Content

1. Introduction.....	3
a. Features	
b. Advantages	
2. Parts.....	4
3. Connection.....	5
4. Wiring .....	6
5. Attention.....	7

# 1.Content

## a. Features :

Using an advanced optical sensing system,Optical/electrical signal conversion,microprocessor signal processing and a control algorithm, the car light sensor can turn on/off low beam headlight and little lights automatically.

This device provides drivers with convenience and comfort in various conditions.

## b. Advantages:

### ●Automation

It can detect surrounding light conditions and automatically activate or deactivate the headlights.

### ●Adjustability

The sensitivity of the light sensor is adjustable.

### ●Added safety,convenience

When you start the car,it automatically put the light sensor into working condition,and detect the light condition.

### ●Mode change

It has manual and auto mode switch,you have the choice.

### ●More

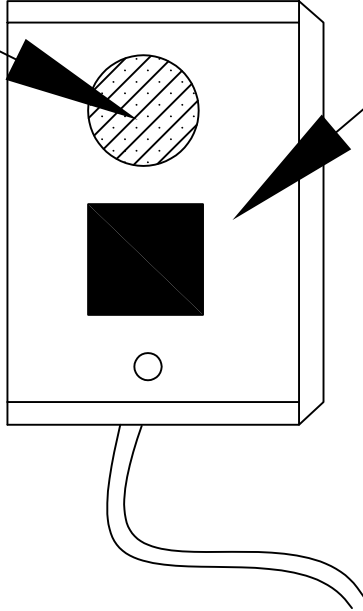
When you switch off the engine or go somewhere brighter,the light sensor can automatically turn off the headlight,save the battery and prolong battery lifetime.

## 2 . Components

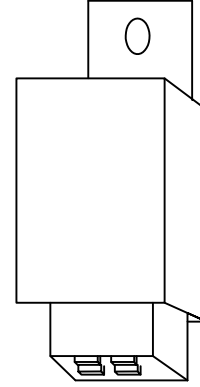
### Sensor & Switch Module

Sensor

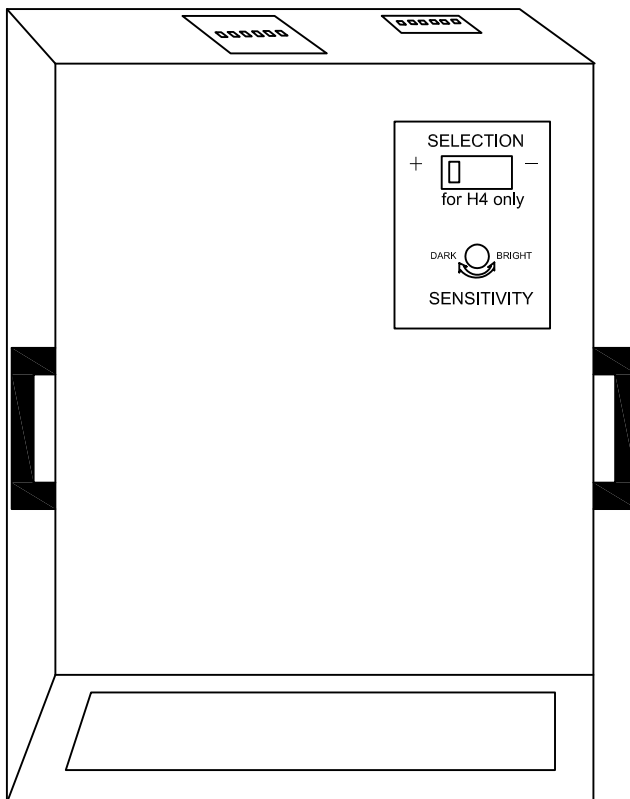
ON/OFF  
switch



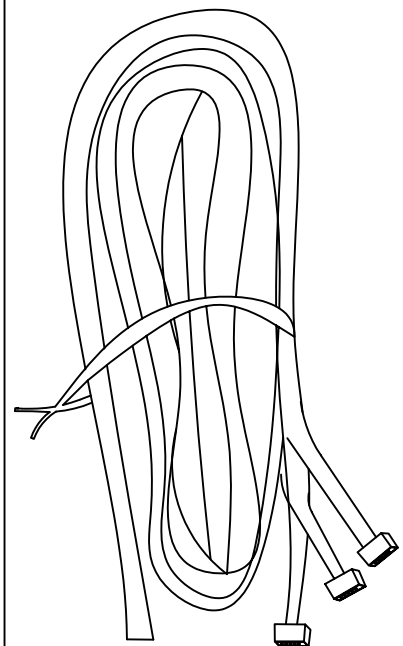
### Relay



### Controller Module



### Wires

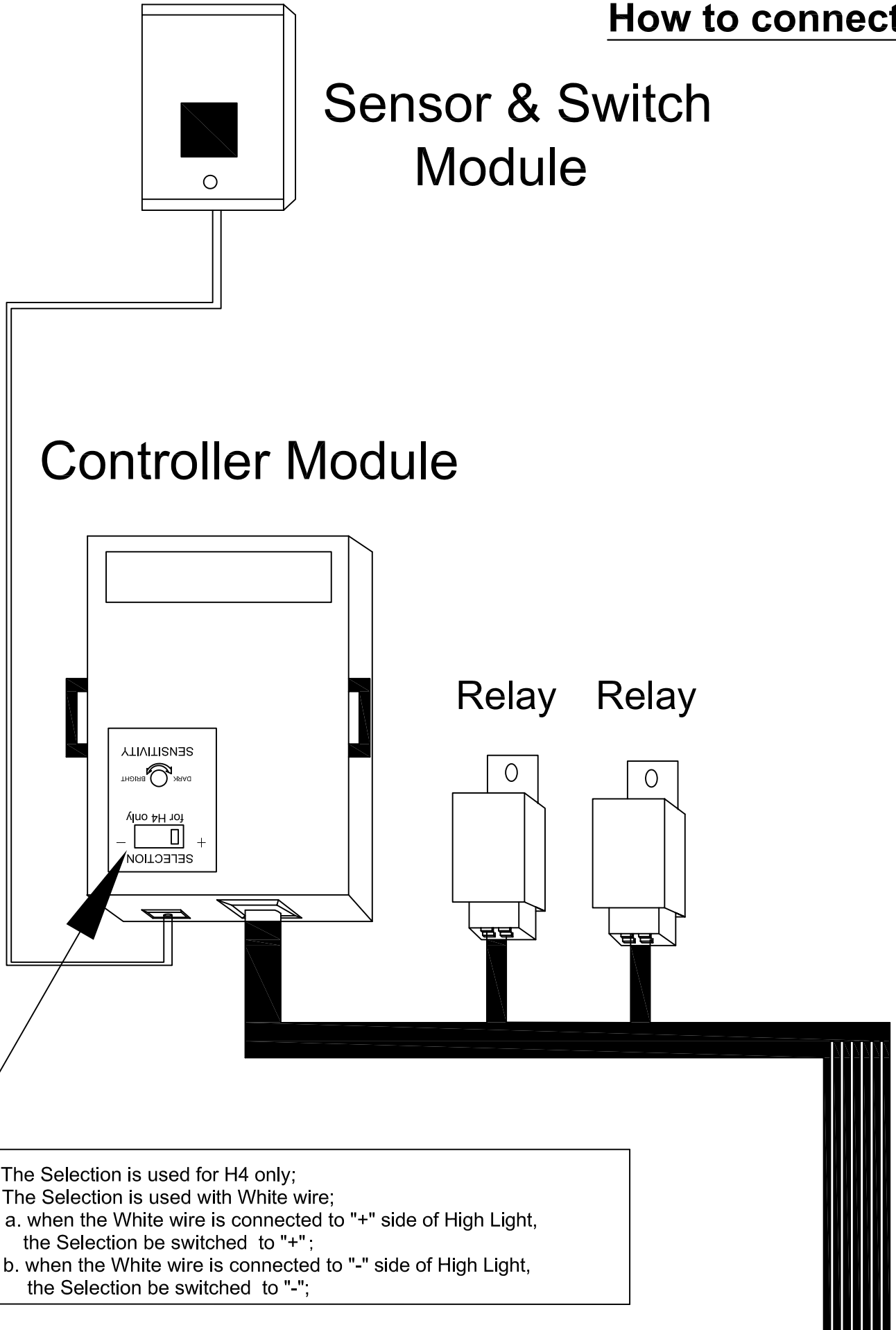


# 3 . Connection

## How to connect

### Sensor & Switch Module

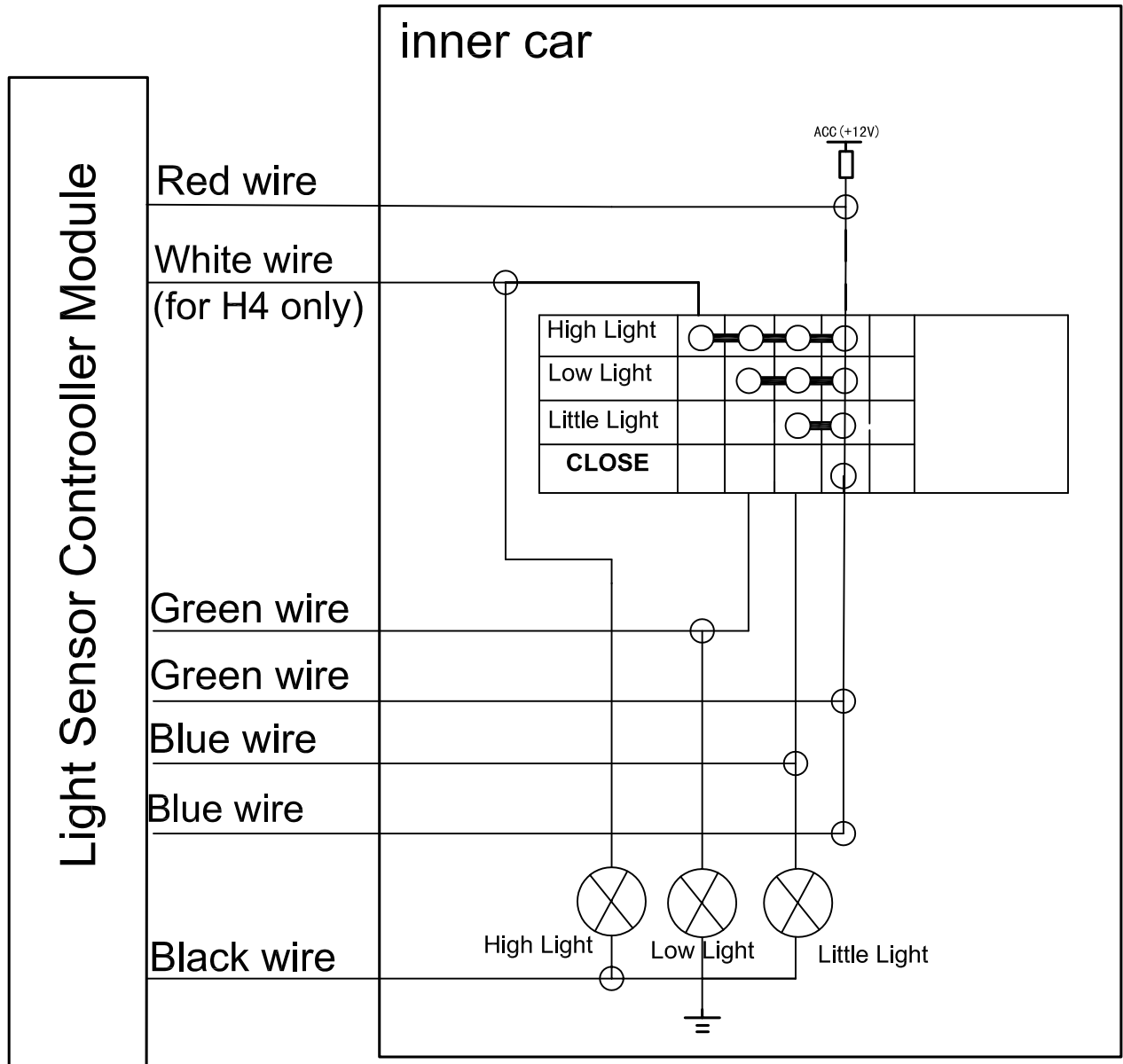
### Controller Module



1. The Selection is used for H4 only;
2. The Selection is used with White wire;
  - a. when the White wire is connected to "+" side of High Light, the Selection be switched to "+";
  - b. when the White wire is connected to "-" side of High Light, the Selection be switched to "-";

# 4 . Wiring

## Wiring



## 5 . Attention

### Things to be noted:

1. Made sure the glass above the light sensor is clean;
2. Made sure nothing is blocding the light sensor ;
3. Do not use strong light beam to shine the light sensor ;
4. In case the light sensor is malfunction,use the manual control;

**LIGHT SENSOR**